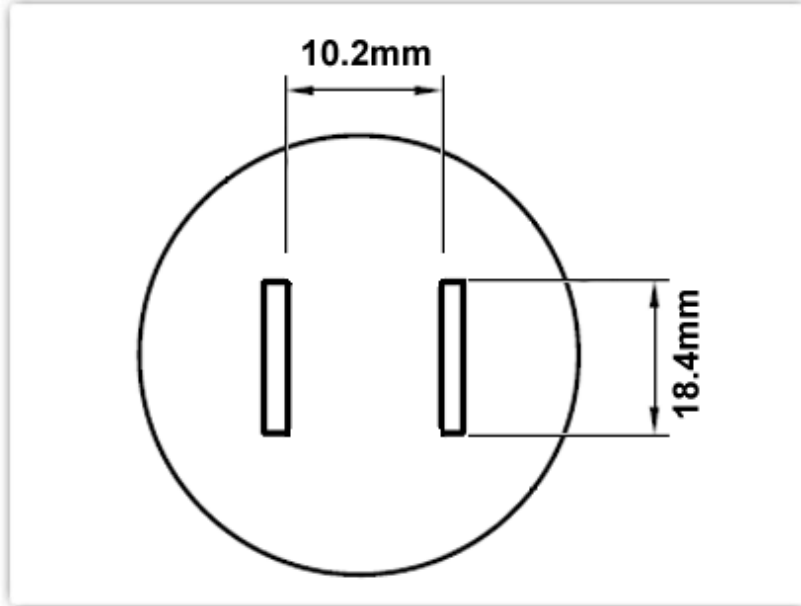


## HTN-TS24B Datasheet

### Technical Specifications



#### HTN-TS24B

*Nozzle 10.2mm x 18.4mm, TSOP  
20-24 PIN*

Nozzle Style: TSOP 20-24 PIN

Nozzle Width: 10.20mm (0.40")

Nozzle Height: 18.40mm (0.72")

Nozzle Type:	HTN Series
RoHS Compliant / Lead Free:	YES
Equivalent to:	H-TSW24
For Use With:	TMT-HA200, TMT-HA300, HCT-900

### Material Composition

**Stainless Steel**



**All components  
are RoHS  
compliant and  
Lead-Free.**



**Standard Connector  
22mm (0.87") diameter**