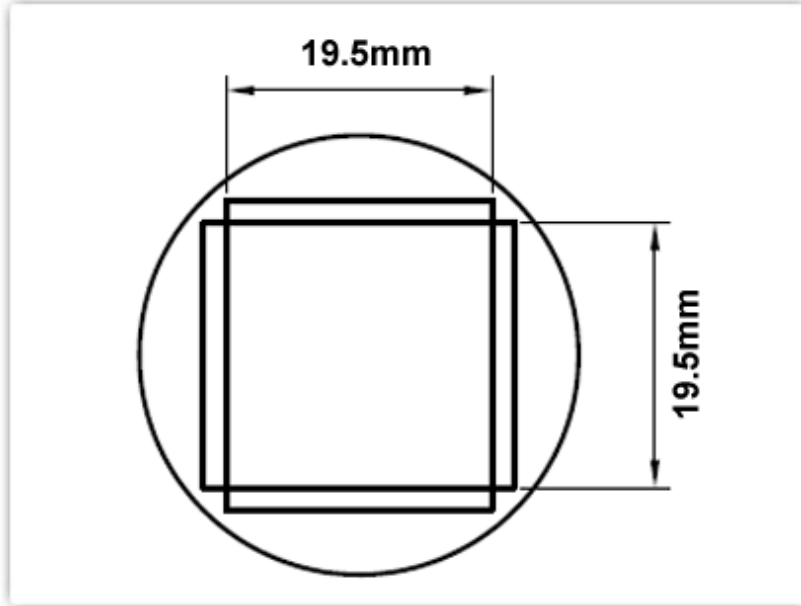


HTN-PL44 Datasheet

Technical Specifications



HTN-PL44

Nozzle 19.5mm x 19.5mm, PLCC-44

Nozzle Style: PLCC-44

Nozzle Width: 19.50mm (0.77")

Nozzle Height: 19.50mm (0.77")

| | |
|-----------------------------|-------------------------------|
| Nozzle Type: | HTN Series |
| RoHS Compliant / Lead Free: | YES |
| Equivalent to: | H-P44 |
| For Use With: | TMT-HA200, TMT-HA300, HCT-900 |

Material Composition

Stainless Steel



**All components
are RoHS
compliant and
Lead-Free.**



**Standard Connector
22mm (0.87") diameter**