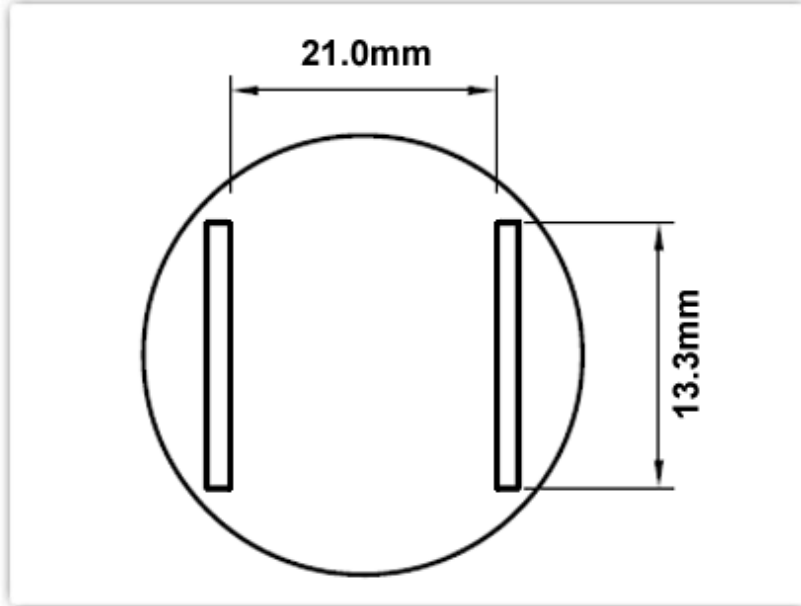


HTN-TS48 Datasheet

Technical Specifications



HTN-TS48

**Nozzle 21.0mm x 13.3mm, TSOP
48 PIN**

Nozzle Style: TSOP 48 PIN

Nozzle Width: 21.00mm (0.83")

Nozzle Height: 13.30mm (0.52")

Nozzle Type:	HTN Series
RoHS Compliant / Lead Free:	YES
Equivalent to:	H-TS48
For Use With:	TMT-HA200, TMT-HA300, HCT-900

Material Composition

Stainless Steel



**All components
are RoHS
compliant and
Lead-Free.**



**Standard Connector
22mm (0.87") diameter**