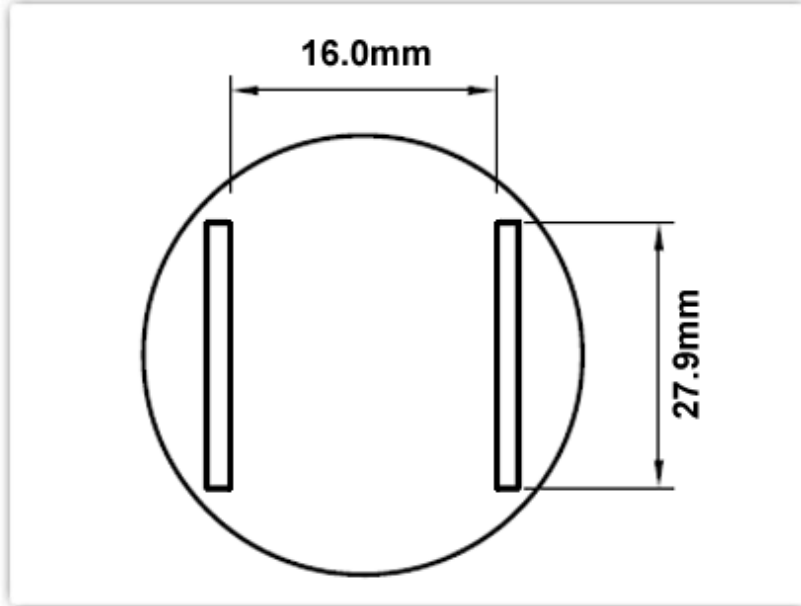


## HTN-SL44 Datasheet

### Technical Specifications



#### HTN-SL44

*Nozzle 16.0mm x 27.9mm, SOL 44*

Nozzle Style: SOL 44

Nozzle Width: 16.00mm (0.63")

Nozzle Height: 27.90mm (1.10")

Nozzle Type:	HTN Series
RoHS Compliant / Lead Free:	YES
Equivalent to:	H-SL44
For Use With:	TMT-HA200, TMT-HA300, HCT-900

### Material Composition

**Stainless Steel**



**All components  
are RoHS  
compliant and  
Lead-Free.**



**Standard Connector  
22mm (0.87") diameter**