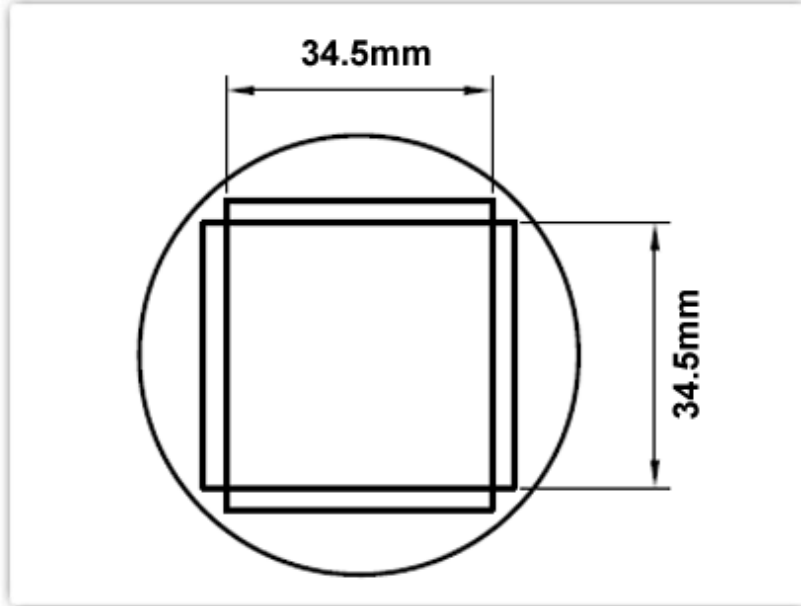


HTN-QF240 Datasheet

Technical Specifications



HTN-QF240

Nozzle 34.5mm x 34.5mm, QFP-240

Nozzle Style: QFP-240

Nozzle Width: 34.50mm (1.36")

Nozzle Height: 34.50mm (1.36")

Nozzle Type:	HTN Series
RoHS Compliant / Lead Free:	YES
Equivalent to:	H-Q3232
For Use With:	TMT-HA200, TMT-HA300, HCT-900

Material Composition

Stainless Steel



**All components
are RoHS
compliant and
Lead-Free.**



**Standard Connector
22mm (0.87") diameter**