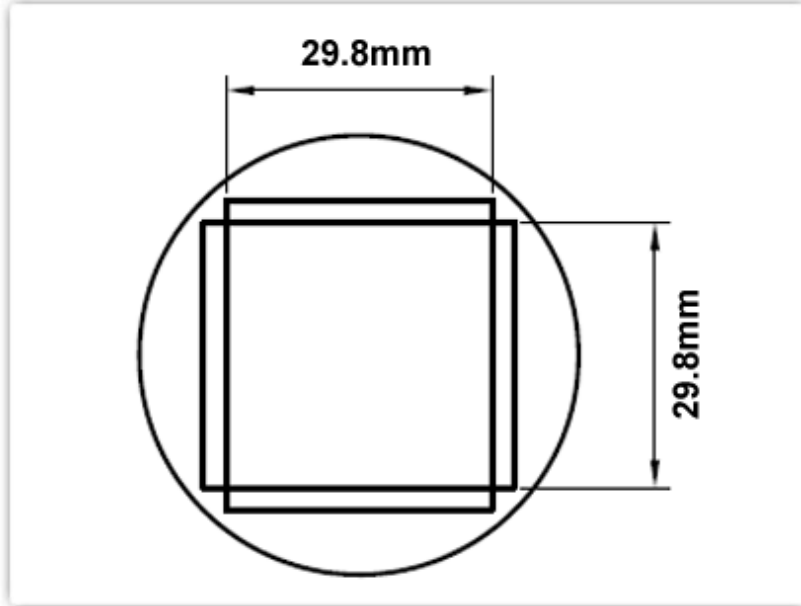


## HTN-QF208 Datasheet

### Technical Specifications

**HTN-QF208**

*Nozzle 29.8mm x 29.8mm, QFP-208*

Nozzle Style: QFP-208

Nozzle Width: 29.80mm (1.17")

Nozzle Height: 29.80mm (1.17")

Nozzle Type:	HTN Series
RoHS Compliant / Lead Free:	YES
Equivalent to:	H-Q2626
For Use With:	TMT-HA200, TMT-HA300, HCT-900

### Material Composition

**Stainless Steel**



**All components  
are RoHS  
compliant and  
Lead-Free.**

**Standard Connector  
22mm (0.87") diameter**