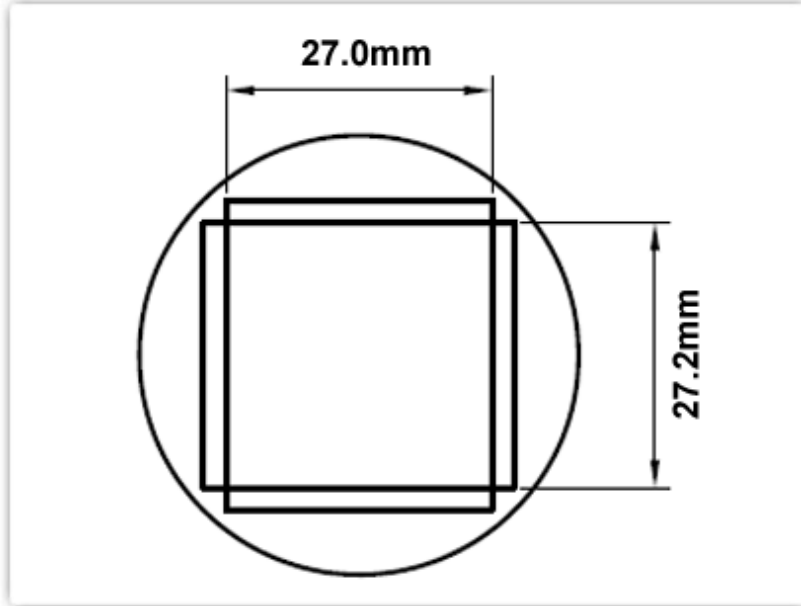


## HTN-PL68 Datasheet

### Technical Specifications



#### HTN-PL68

*Nozzle 27.0mm x 27.2mm, PLCC-68*

Nozzle Style: PLCC-68

Nozzle Width: 27.00mm (1.06")

Nozzle Height: 27.20mm (1.07")

Nozzle Type:	HTN Series
RoHS Compliant / Lead Free:	YES
Equivalent to:	H-P68
For Use With:	TMT-HA200, TMT-HA300, HCT-900

### Material Composition

**Stainless Steel**



**All components  
are RoHS  
compliant and  
Lead-Free.**



**Standard Connector  
22mm (0.87") diameter**