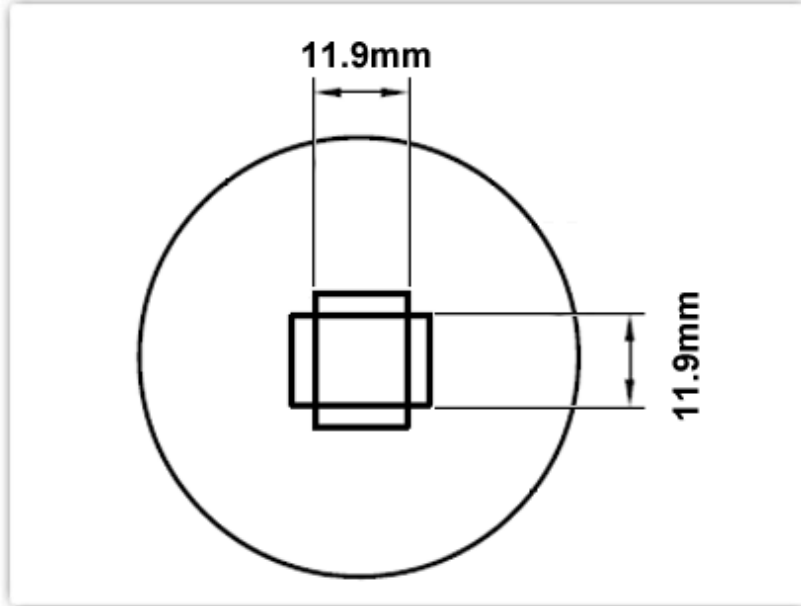


HTN-PL20 Datasheet

Technical Specifications



HTN-PL20

Nozzle 11.9mm x 11.9mm, PLCC-20

Nozzle Style: PLCC-20

Nozzle Width: 11.90mm (0.47")

Nozzle Height: 11.90mm (0.47")

Nozzle Type:	HTN Series
RoHS Compliant / Lead Free:	YES
Equivalent to:	H-P20
For Use With:	TMT-HA200, TMT-HA300, HCT-900

Material Composition

Stainless Steel



All components are RoHS compliant and Lead-Free.



**Standard Connector
22mm (0.87") diameter**