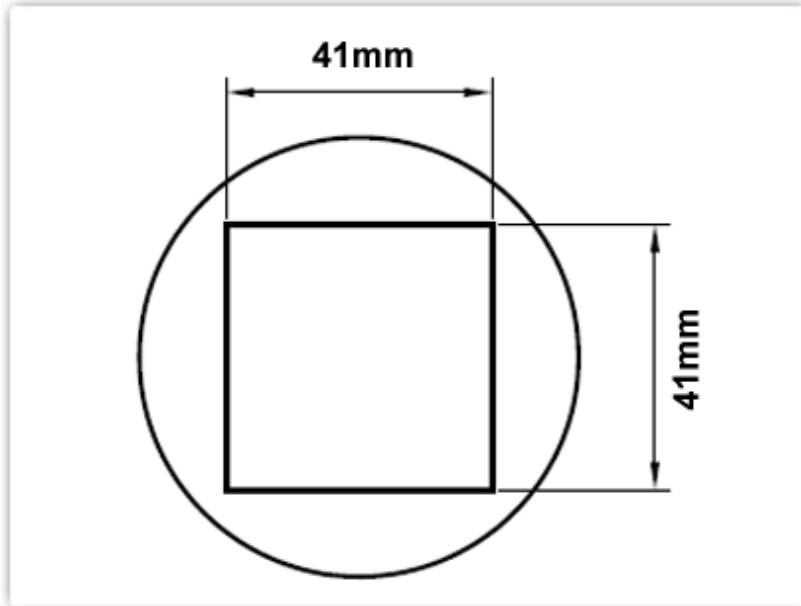


HTN-B4141 Datasheet

Technical Specifications



HTN-B4141

Nozzle 41.0mm x 41.0mm, BGA

Nozzle Style: BGA

Nozzle Width: 41.00mm (1.61")

Nozzle Height: 41.00mm (1.61")

Nozzle Type:	HTN Series
RoHS Compliant / Lead Free:	YES
For Use With:	TMT-HA200, TMT-HA300, HCT-900

Material Composition

Stainless Steel



**All components
are RoHS
compliant and
Lead-Free.**

**Standard Connector
22mm (0.87") diameter**