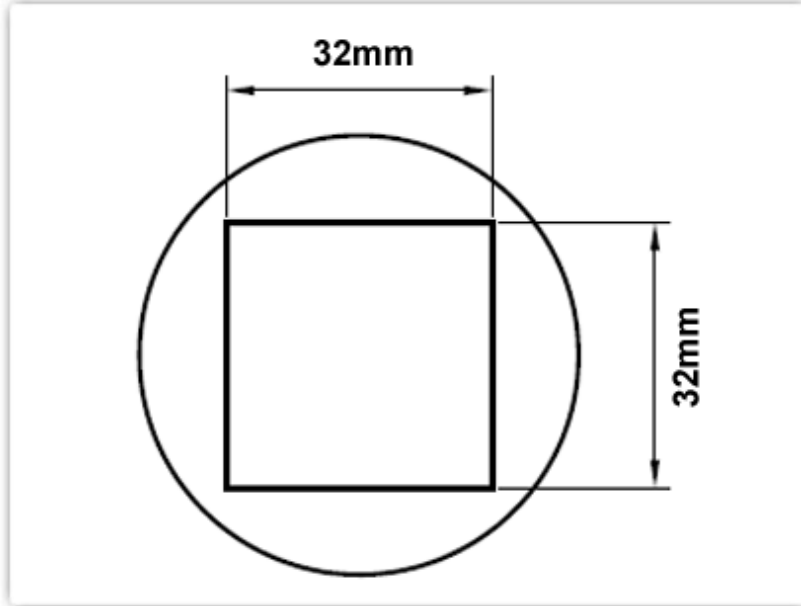


## HTN-B3232 Datasheet

### Technical Specifications



#### HTN-B3232

**Nozzle 32.0mm x 32.0mm, BGA**

Nozzle Style: BGA

Nozzle Width: 32.00mm (1.26")

Nozzle Height: 32.00mm (1.26")

Nozzle Type:	HTN Series
RoHS Compliant / Lead Free:	YES
For Use With:	TMT-HA200, TMT-HA300, HCT-900

### Material Composition

**Stainless Steel**



**All components  
are RoHS  
compliant and  
Lead-Free.**



**Standard Connector  
22mm (0.87") diameter**