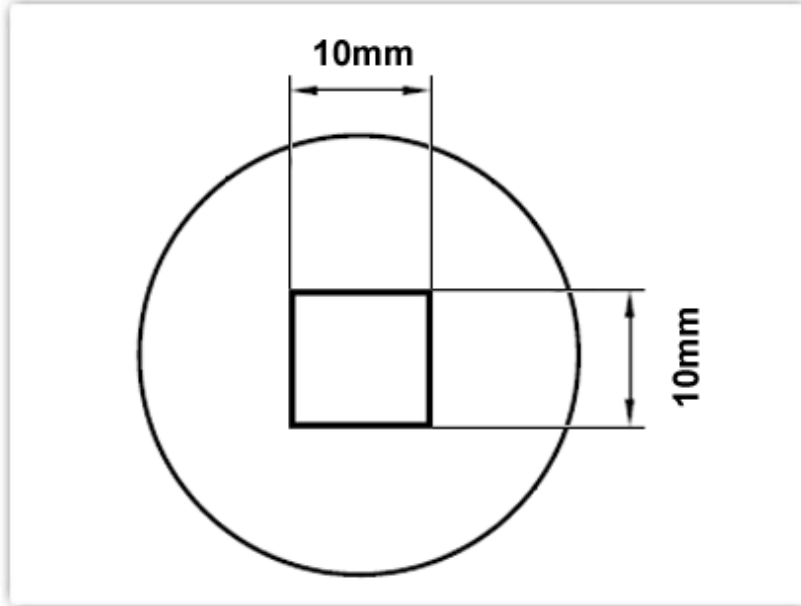


## HTN-B1010 Datasheet

### Technical Specifications



#### HTN-B1010

*Nozzle 10.0mm x 10.0mm, BGA*

Nozzle Style: BGA

Nozzle Width: 10.00mm (0.39")

Nozzle Height: 10.00mm (0.39")

Nozzle Type:	HTN Series
RoHS Compliant / Lead Free:	YES
For Use With:	TMT-HA200, TMT-HA300, HCT-900

### Material Composition

**Stainless Steel**



***All components  
are RoHS  
compliant and  
Lead-Free.***



**Standard Connector  
22mm (0.87") diameter**